

# Novalite



# Novalite

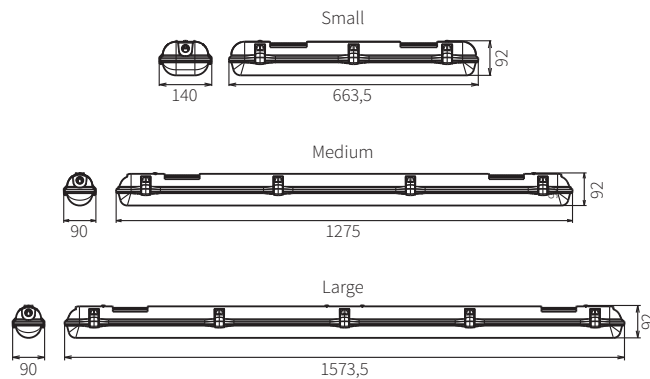
Emergency Luminaires  
Surface Mounted, Single/Double Sided

## Specifications

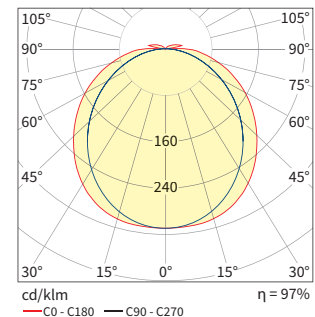
Application	Anti-Panic Lighting, Escape Route lighting, Hazardous Area Lighting
Mounting	Direct mounting to wall & ceiling
Version	Manual Test, Self Test, DALI
Mode	Selectable maintained/non-maintained
Emergency Duration	1/3 hours
Light Source	72, 144, 180 mid power LED module, 4000K, CRI>80
Battery	3.6 Volt High temperature battery block, Ni-Cd, Ni-MH
Wiring	Up to 2x2,5 mm <sup>2</sup> quick fit terminal block
Power Supply	230 Volt, 50/60Hz
Protection	IP65
Temperature Range	-10-40°C
Electrical Class	Class II (no earth wiring required)
Material	White polycarbonate housing



## Dimensions (mm)



Polar Lighting Distribution Curve



## Ordering Details

Type	Size	Mode	Duration	Mains Power	LED	Mains Lumen	EMG Lumen	Battery Type	CRI	CCT Kelvin
NVL-S	Small	Mains Only	-	14W	72 pcs Mid Power LED	1687	-	-	Ra>80	4.000
NVL-S-1H		Mains & Emergency	1 Hour	16W			180	3.6V-0.8Ah		
NVL-SH-1H			3 Hours				377	3.6V-1.7Ah		
NVL-S-3H							180	3.6V-4.5Ah		
NVL-SH-3H			DALI Emergency				377	3.6V-4.5Ah		
NVL-SH-3H-DALI							377	3.6V-4.5Ah		
NVL-M	Medium	Mains Only	-	28W	144 pcs Mid Power LED	3498	-	-	Ra>80	4.000
NVL-M-1H		Mains & Emergency	1 Hour	32W			190	3.6V-0.8Ah		
NVL-MH-1H			3 Hours				402	3.6V-1.7Ah		
NVL-M-3H							190	3.6V-4.5Ah		
NVL-MH-3H			DALI Emergency				402	3.6V-4.5Ah		
NVL-MH-3H-DALI							402	3.6V-4.5Ah		
NVL-L	Large	Mains Only	-	35W	180 pcs Mid Power LED	4374	-	-	Ra>80	4.000
NVL-L-1H		Mains & Emergency	1 Hour	40W			180	3.6V-0.8Ah		
NVL-LH-1H			3 Hours				387	3.6V-1.7Ah		
NVL-L-3H							180	3.6V-4.5Ah		
NVL-LH-3H			DALI Emergency				387	3.6V-4.5Ah		
NVL-LH-3H-DALI							387	3.6V-4.5Ah		