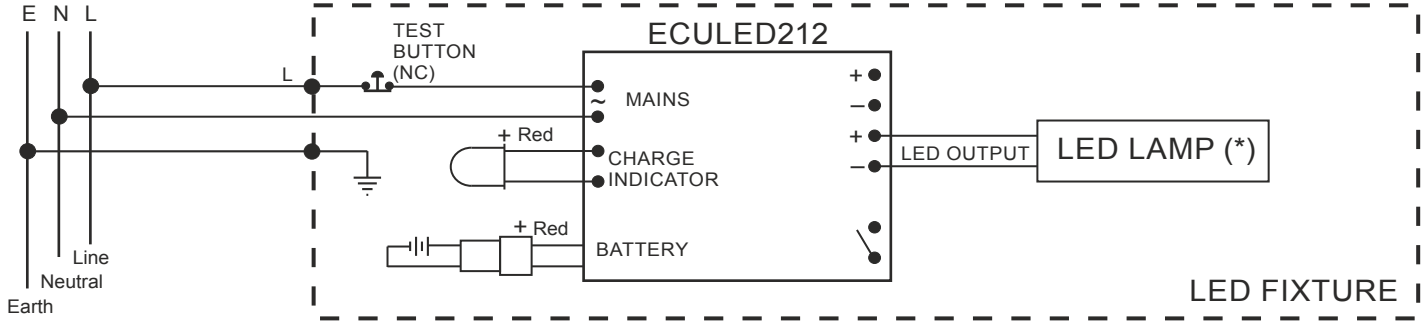


# ECULED212 WIRING DIAGRAMS

## NON-MAINTAINED



## MAINTAINED OR SWITCHABLE MAINTAINED WITH EXTERNAL DRIVER

